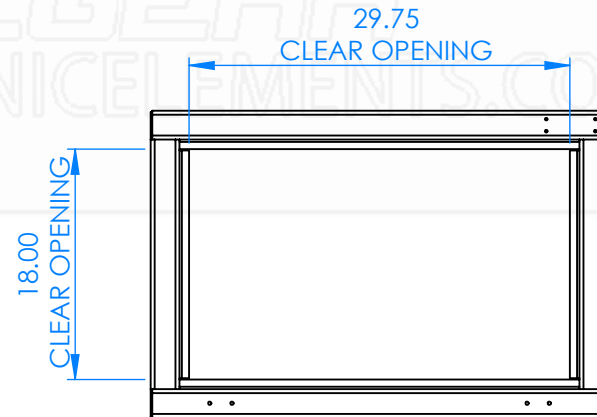
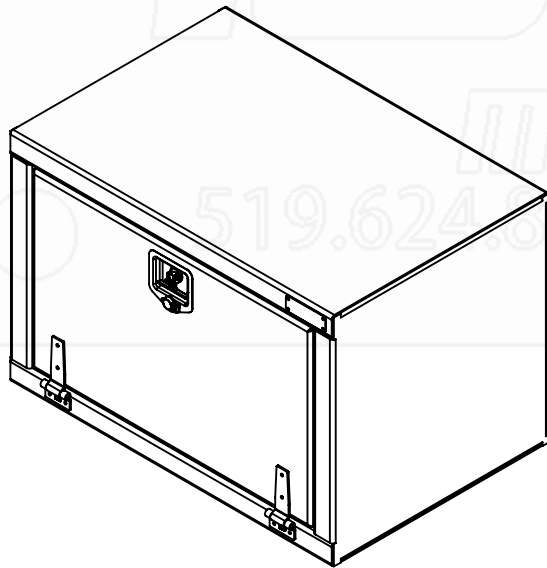


SECTION A-A



Part No.:

**1186**

MATERIAL: 5052 (Alum)

Approx. Weight: 70.26 lbs

Surf. Area: 71.23 sq. ft.

THICKNESS: 0.125

**ICONIC ELEMENTS (ICONIC METALGEAR)** TITLE:

PROPRIETARY AND CONFIDENTIAL  
NO PART OF THIS DOCUMENT MAY BE REPRODUCED, STORED IN A RETRIEVAL SYSTEM, OR TRANSMITTED IN ANY FORM, WITHOUT THE WRITTEN PERMISSION OF Iconic Elements Inc. (ICONIC METALGEAR)

FINISH: Smooth

362424 FD w/ Chains

DWG. NO.: 3292-S-00-A

REV: SHEET:

A 1 OF 1