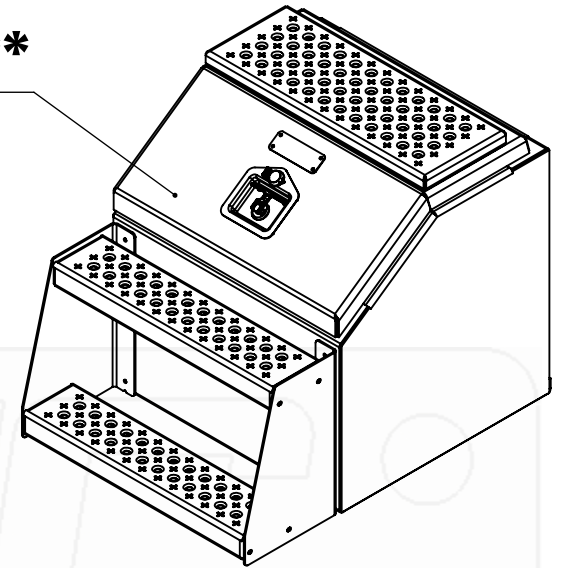
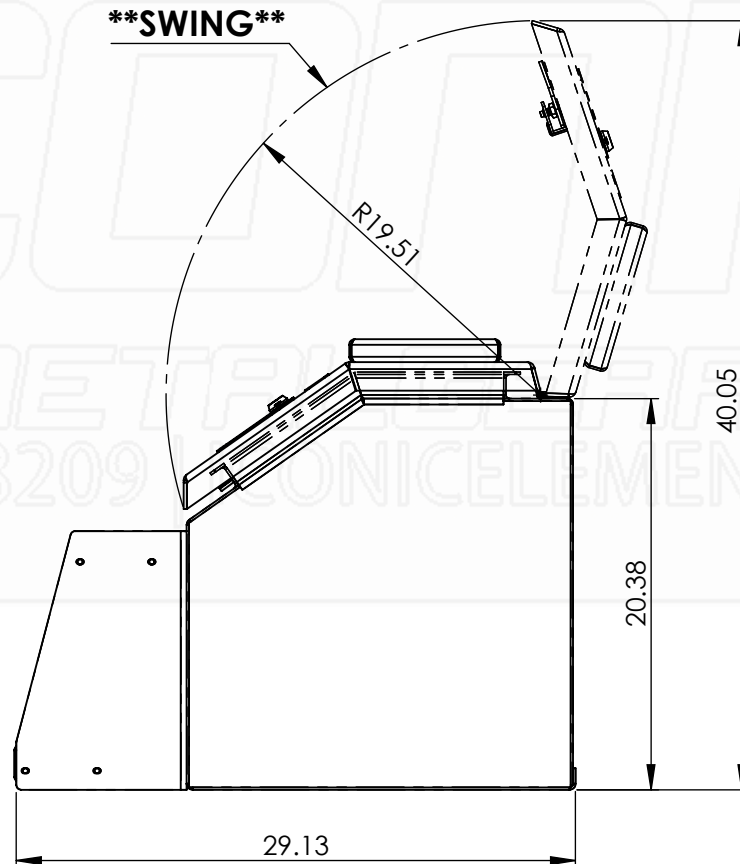


****CHECKER LID****



**NOTE:
WHEN MOUNTING,
MAKE SURE TOOLBOX
LID DOES NOT INTERFERE
WITH TRUCK FAIRING.**

Part No.:

1522

MATERIAL: 5052 (Alum)

Approx. Weight: 46.10 lbs
Surf. Area: 54.56 sq. ft.

THICKNESS: 0.125

ICONIC ELEMENTS (ICONIC METALGEAR) TITLE:

PROPRIETARY AND CONFIDENTIAL
NO PART OF THIS DOCUMENT MAY BE REPRODUCED, STORED IN A RETRIEVAL SYSTEM, OR TRANSMITTED
IN ANY FORM, WITHOUT THE WRITTEN PERMISSION OF Iconic Elements Inc. (ICONIC METALGEAR)

FINISH: Smooth

22" Big Mouth CH Lid

DWG. NO.: 3409-0-00-N

REV: SHEET:

N 1 OF 1