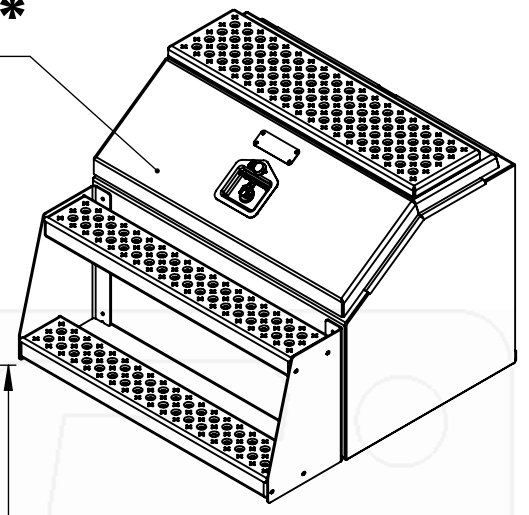
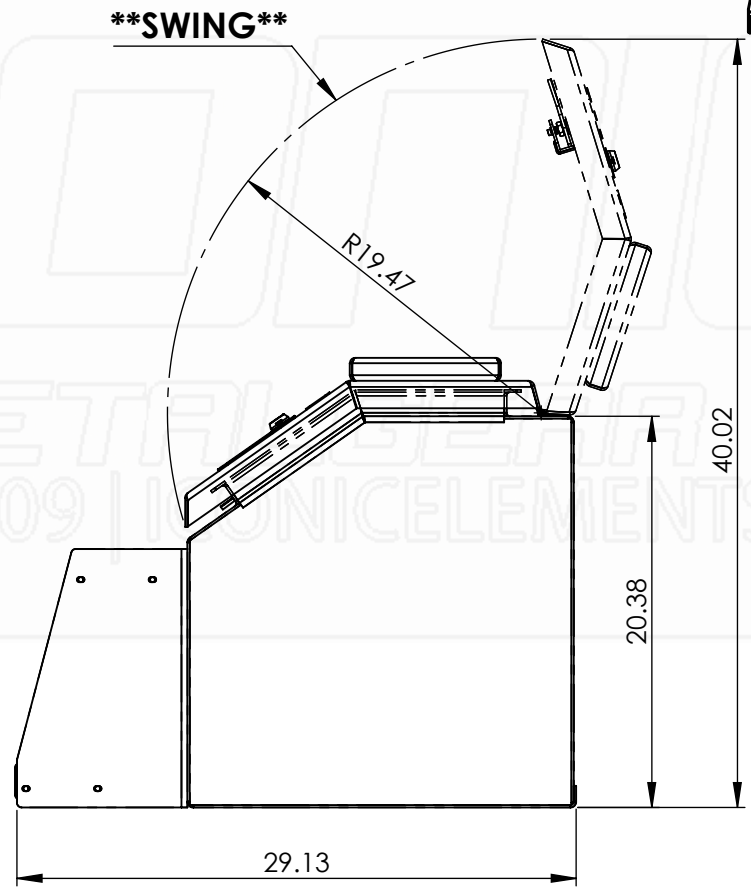
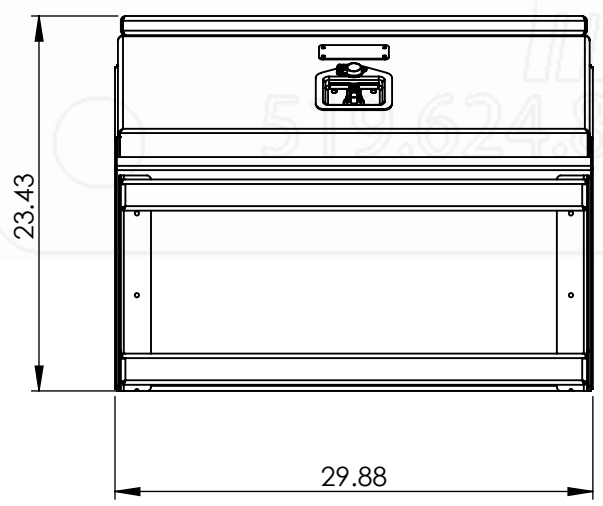
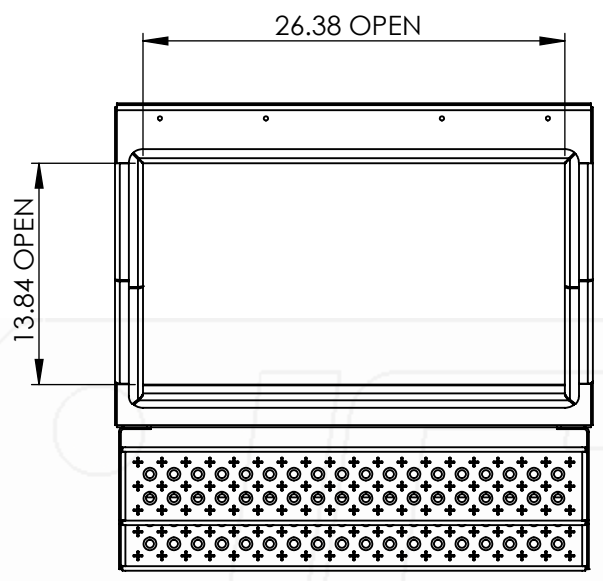


****SMOOTH LID****



**NOTE:
WHEN MOUNTING,
MAKE SURE TOOLBOX
LID DOES NOT INTERFERE
WITH TRUCK FAIRING.**

Part No.:	MATERIAL:	5052 (Alum)	THICKNESS:	0.125	FINISH:	Smooth	DWG. NO.:	3412-0-00-N
	1525	Approx. Weight:	56.81 lbs	ICONIC ELEMENTS (ICONIC METALGEAR) TITLE: <small>PROPRIETARY AND CONFIDENTIAL</small> <small>NO PART OF THIS DOCUMENT MAY BE REPRODUCED, STORED IN A RETRIEVAL SYSTEM, OR TRANSMITTED IN ANY FORM, WITHOUT THE WRITTEN PERMISSION OF Iconic Elements Inc. (ICONIC METALGEAR)</small>		30" Big Mouth SM Lid	REV:	SHEET:
	Surf. Area:	68.18 sq. ft.					N	1 OF 1