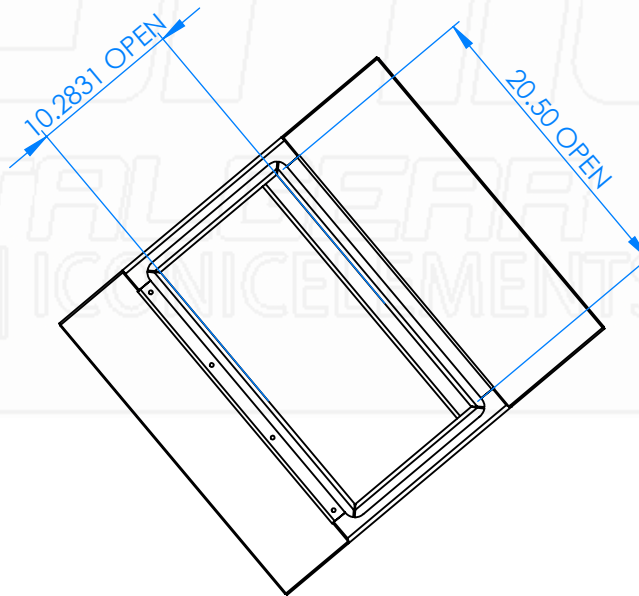
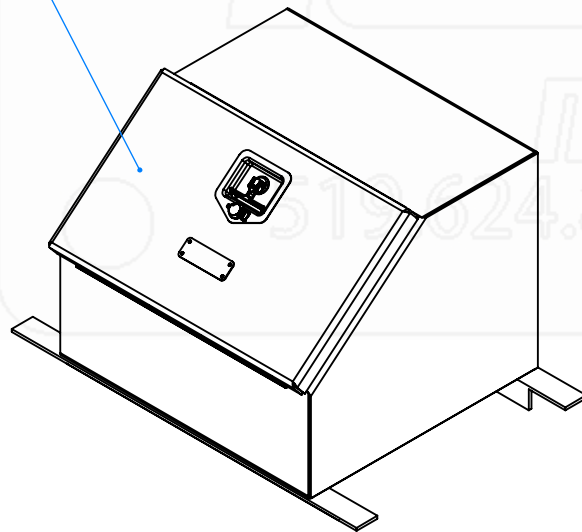


CHECKER LID



VIEW C
SCALE 1 : 13

Part No.:

1820

MATERIAL: 5052 (Alum)

THICKNESS: 0.125

FINISH: Smooth

DWG. NO.: 3507-C-00-E

Approx. Weight: 41.58 lbs

Surf. Area: 43.98 sq. ft.

ICONIC ELEMENTS (ICONIC METALGEAR) TITLE:

PROPRIETARY AND CONFIDENTIAL
NO PART OF THIS DOCUMENT MAY BE REPRODUCED, STORED IN A RETRIEVAL SYSTEM, OR TRANSMITTED IN ANY FORM, WITHOUT THE WRITTEN PERMISSION OF Iconic Elements Inc. (ICONIC METALGEAR)

24" Boot Box (CH Lid)

REV: SHEET:

E 1 OF 1